

COMMERCIAL REFUSE RECYCLING CONTAINER DIMENSIONS

Size	Length	Width	Depth
1 yd	2 ft 2 in	5.5 ft	4 ft
1.5 yd	3 ft	5.5 ft	4 ft
2 yd	4 ft	5.5 ft	4 ft
3 yd	5 ft 4 in	5.5 ft	4 ft
4 yd	6 ft 3 in	5.5 ft	4 ft
6 yd	10 ft	5.5 ft	4 ft

**1 - 8 Cubic Yard Dumpster Dimensions**

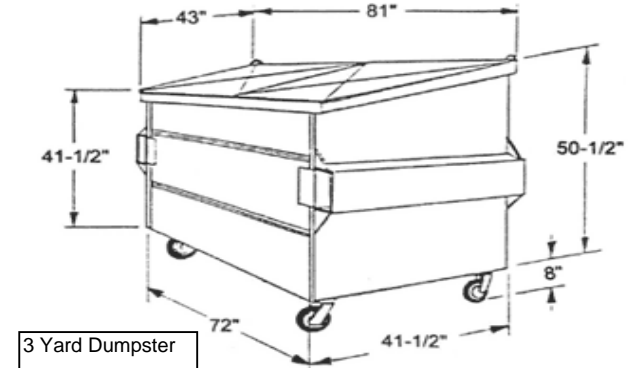
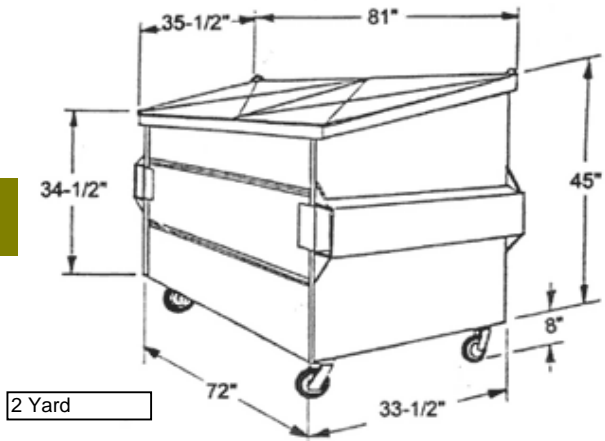
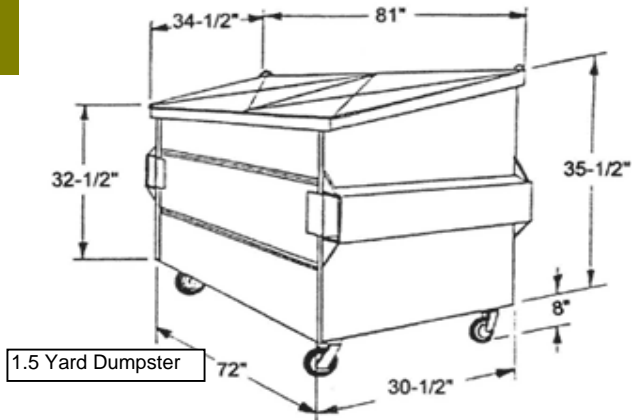
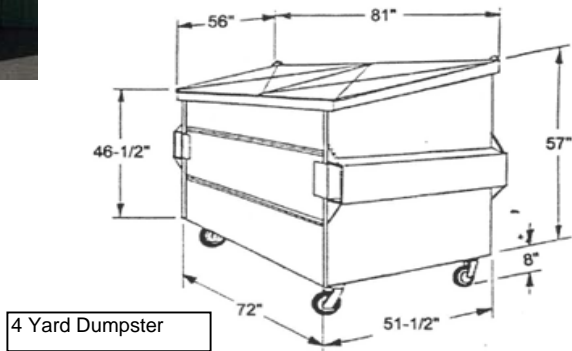
Size	Length	Width	Height
1 cubic yard	72"	24"	29"
2 cubic yard	72"	34"	45" (rear) / 34" (front)
3 cubic yard	72"	43"	48" (rear) / 40" (front)
4 cubic yard	72"	51"	56" (rear) / 46" (front)
6 cubic yard*	80"	66"	71" (rear) / 47" (front)
8 cubic yard*	80"	71"	86" (rear) / 53" (front)

\*6 and 8 cubic yard containers are not available for organic debris service due to weight limits.



**10 - 40 Cubic Yard Drop Box Dimensions**

Size	Length	Width	Height
10 cubic yards	10-12 ft.	8 ft	3-4 ft
20 cubic yards	12-14 ft.	8 ft	5 ft
30 cubic yards	18 ft	8 ft	6 ft
40 cubic yards	20 ft	8 ft	8 ft



**CCSWA Blue Recycling Cart Dimensions**

Height: 48 inches  
 Width: 28 inches  
 Depth: 36 inches



**ROW OF 6 CARTS**

